



SJVN LIMITED

(A Joint Venture of Govt. of India & Govt. of Himachal Pradesh)
A 'Mini Ratna' & Schedule 'A' PSU | ISO 9001:2015 Certified Company
CIN: L40101HP1988GOI008409

Participant ID	
Participant Name	
Test Center Name	
Test Date	18/03/2023
Test Time	8:30 AM - 10:30 AM
Subject	Field Engineer(Civil)

Section : Subject Related

Q.1 Based on the classification of sources of noise, the operation of radio, television, record player, etc. with high volume comes under _____.

- Ans**
- 1. public noise
 - 2. domestic noise
 - 3. traffic noise
 - 4. construction noise

Question ID : 630680178443
Status : Answered
Chosen Option : 2

Q.2 According to which Indian standards is the preparation of solid waste sample for chemical and microbiological analysis done?

- Ans**
- 1. IS:9234-1979
 - 2. IS:9235-1979
 - 3. IS:9569-1980
 - 4. IS:16557:2016

Question ID : 630680178446
Status : Answered
Chosen Option : 4

Q.3 Identify the sewer type that is NOT used as a sewer based on material choice.

- Ans**
- 1. Salt glazed stoneware pipes
 - 2. Cast iron pipes
 - 3. Lead pipes
 - 4. Copper pipes

Question ID : 630680178439
Status : Answered
Chosen Option : 4

Q.4 Calculate the length of a vertical curve if an upgrade $g_1 = 1.4\%$ is followed by a downgrade $g_2 = 0.6\%$ and the rate of change of grade, is recommended as 0.1% per 20 m chain.

- Ans**
- 1. 20 m
 - 2. 200 m
 - 3. 400 m
 - 4. 800 m

Question ID : 630680178470
Status : Answered
Chosen Option : 2

Q.5 The net amount of irrigation required for a field is 8.1 cm. If the field efficiency is 90%, what is the gross amount of water required to be applied in the field?

- Ans**
- 1. 3 cm
 - 2. 6 cm
 - 3. 9 cm
 - 4. 10 cm

Question ID : 630680178428
Status : Answered
Chosen Option : 3

Q.6 The geometric design of highways depends on several design factors. Which of the following do these factors consist of?

- A. Design speed
- B. Design hourly volume and capacity
- C. Traffic factors
- D. Air pollution and noise pollution

- Ans**
- 1. Only A and B
 - 2. Only A, B and C
 - 3. Only C and D
 - 4. A, B, C and D

Question ID : 630680178474
Status : Answered
Chosen Option : 2

Q.7 According to *Safety and Serviceability Requirements* of a prestressed concrete Indian standards, the final deflection on horizontal members is NOT to be greater than _____ for the span of length (L).

- Ans**
- 1. $L/125$
 - 2. $L/250$
 - 3. $L/300$
 - 4. $L/330$

Question ID : 630680178395
Status : Answered
Chosen Option : 3

Q.8 _____ estimate is required when additional works are required to supplement the original works during the progress of work.

- Ans
- 1. Revised
 - 2. Maintenance
 - 3. Supplementary
 - 4. Detailed

Question ID : 630680178406
Status : Answered
Chosen Option : 1

Q.9 The allowable length of the offsets adopted in chain surveying depends upon the following factors:

- I. scale of the plotting
- II. nature of the ground
- III. accuracy desired
- IV. maximum error in laying off the direction of the offsets

- Ans
- 1. Only I and II
 - 2. Only II and III
 - 3. Only I and IV
 - 4. I, II, III and IV

Question ID : 630680178468
Status : Answered
Chosen Option : 4

Q.10 If a small disturbance creates a couple which acts to increase the disturbance, and the body may tilt over completely, then it is called _____ equilibrium.

- Ans
- 1. stable
 - 2. forced
 - 3. neutral
 - 4. unstable

Question ID : 630680178416
Status : Answered
Chosen Option : 4

Q.11 During exploratory drilling in sandy soils, _____ slurry in the bore hole should be maintained at a level of 1 to 1.5 m above the level of the water table.

- Ans
- 1. cement
 - 2. bentonite
 - 3. lime
 - 4. graphite

Question ID : 630680178463
Status : Answered
Chosen Option : 2

Q.12 What is the runoff coefficient of the catchment area of 140 km^2 that received 120 cm of rainfall in a year?
At the outlet of the catchment, the flow in the stream draining the catchment was found to have an average rate of $1.5 \text{ m}^3/\text{s}$ for the first 3 months, $2.0 \text{ m}^3/\text{s}$ for the next 6 months, and $3.5 \text{ m}^3/\text{s}$ for the remaining 3 months.

- Ans
- 1. 0.2442
 - 2. 0.4224
 - 3. 0.2424
 - 4. 0.4242

Question ID : **630680178424**
Status : **Answered**
Chosen Option : **4**

Q.13 The energy loss ΔE in a hydraulic jump in a rectangular channel is expressed as _____.
Where V_1 and V_2 are the mean velocities of flow before and after the jump respectively.

- Ans
- 1. $\Delta E = \frac{(V_1 + V_2)^3}{2g(V_1 + V_2)}$
 - 2. $\Delta E = \frac{(V_2 - V_1)^3}{2g(V_1 + V_2)}$
 - 3. $\Delta E = \frac{2g(V_1 - V_2)^3}{(V_1 + V_2)}$
 - 4. $\Delta E = \frac{(V_1 - V_2)^3}{2g(V_1 + V_2)}$

Question ID : **630680178415**
Status : **Answered**
Chosen Option : **2**

Q.14 The quantities of water going through various paths of the hydrological cycle in a given system can be described by the continuity principle known as _____.

- Ans
- 1. evapotranspiration equations
 - 2. evaporation equations
 - 3. Thiessen mean equation
 - 4. water-budget equation

Question ID : **630680178419**
Status : **Answered**
Chosen Option : **4**

Q.15 Among the following types, which is NOT The shape of the tamping feet used in Sheepsfoot roller?

- Ans
- 1. Sheepsfoot
 - 2. Club foot
 - 3. Cone foot
 - 4. Tangent foot

Question ID : **630680178450**
Status : **Answered**
Chosen Option : **4**

Q.16 If, in any given plane, one end of a column is unrestrained, its unsupported length, it shall NOT exceed _____.

Where,

b = width-of that cross-section

D = depth of the cross-section measured in the plane under consideration

- Ans
- 1. $100b^2/D$
 - 2. $200b^2/D$
 - 3. $300b^2/D$
 - 4. $400b^2/D$

Question ID : 630680178397

Status : Answered

Chosen Option : 1

Q.17 In India, the water year starts from _____ and ends on _____.

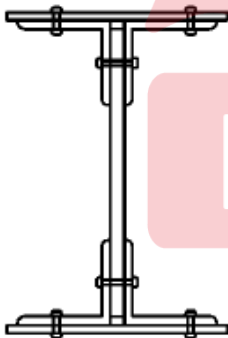
- Ans
- 1. 1 January; 31 December
 - 2. 1 April; 31 March
 - 3. 1 June; 31 May
 - 4. 1 October; 30 September

Question ID : 630680178418

Status : Answered

Chosen Option : 2

Q.18 Identify the type of plate girder shown in the below figure.



- Ans
- 1. Girder with side plates
 - 2. Bolted with cover plates
 - 3. Bolted without cover plates
 - 4. Delta girder

Question ID : 630680178387

Status : Answered

Chosen Option : 2

Q.19 If L = the average inflow during a specified period,
 O = the average outflow during the same period and
 Δv = the change in volume of storage during the same period,
then find the relation between the above specified in view of 'Flood Routing' process.

- Ans**
- ✓ 1. $L = O + \Delta v$
 - ✗ 2. $L = O - \Delta v$
 - ✗ 3. $L = O \times \Delta v$
 - ✗ 4. $L = O / \Delta v$

Question ID : 630680178417
Status : Answered
Chosen Option : 1

Q.20 A broad-faced chisel used for dressing a stone to a comparatively smooth surface is called a _____.

- Ans**
- ✗ 1. soft stone chisel
 - ✓ 2. booster
 - ✗ 3. claw chisel
 - ✗ 4. fillet chisel

Question ID : 630680178362
Status : Answered
Chosen Option : 3

Q.21 _____ slack is obtained when the latest allowable occurrence time is more than the earliest expected time for an event.

- Ans**
- ✓ 1. Positive
 - ✗ 2. Zero
 - ✗ 3. Negative
 - ✗ 4. Composite

Question ID : 630680178408
Status : Answered
Chosen Option : 1

Q.22 A cushion of hardwood or some suitable material placed on the top of the casing to receive the blows of the hammer is called _____.

- Ans**
- ✗ 1. damper
 - ✓ 2. dolly
 - ✗ 3. drum
 - ✗ 4. clamp

Question ID : 630680178457
Status : Answered
Chosen Option : 2

Q.23 The ratio of the water delivered into the fields from the outlet point of the channel, to the water entering into the channel at its starting point is called _____.

- Ans**
- 1. water distribution efficiency
 - 2. efficiency of water storage
 - 3. efficiency of water application
 - 4. efficiency of water-conveyance

Question ID : 630680178425
Status : Answered
Chosen Option : 4

Q.24 According to the method of joint for analysing the trusses, the analysis entails the use of free-body diagrams of the joints with the application of equilibrium equations _____ for each joint.

- Ans**
- 1. $\sum H \neq 0$ and $\sum V = 0$
 - 2. $\sum H = 0$ and $\sum V \neq 0$
 - 3. $\sum H \neq 0$ and $\sum V \neq 0$
 - 4. $\sum H = 0$ and $\sum V = 0$

Question ID : 630680178385
Status : Answered
Chosen Option : 4

Q.25 The unconfined compression test is generally conducted on saturated clays for which apparent angle of shearing resistance is _____.

- Ans**
- 1. 0
 - 2. 1
 - 3. -1
 - 4. ∞

Question ID : 630680178456
Status : Answered
Chosen Option : 1

Q.26 Once a ductile material has exceeded the elastic deformation, it enters into the _____.

- Ans**
- 1. elastic deformation range
 - 2. plastic deformation range
 - 3. residual deformation range
 - 4. brittle deformation range

Question ID : 630680178371
Status : Answered
Chosen Option : 2

Q.27 At what intervals is water to be irrigated for guava fruit during summer and winter, respectively?

- Ans
- 1. 5-10 days and 15 days
 - 2. 6-10 days and 15 days
 - 3. 7-10 days and 15 days
 - 4. 7-14 days and 20 days

Question ID : 630680178427
Status : Answered
Chosen Option : 1

Q.28 For a cantilever, the clear distance from the free end of the cantilever to the lateral restraint shall NOT exceed _____.

Where b is the breadth.

- Ans
- 1. 20b
 - 2. 25b
 - 3. 30b
 - 4. 40b

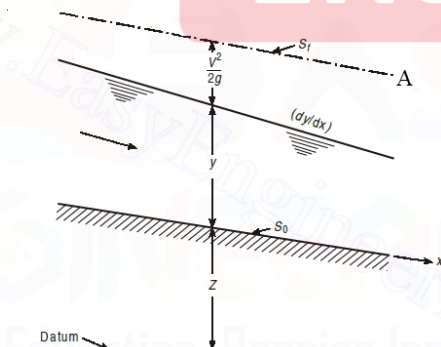
Question ID : 630680178399
Status : Answered
Chosen Option : 2

Q.29 The temporary physical characteristics that affect the alertness and increase the reaction time of road users are _____.

- Ans
- 1. traffic behaviour
 - 2. influence of liquor or drugs
 - 3. superstition
 - 4. traffic stream

Question ID : 630680178478
Status : Answered
Chosen Option : 1

Q.30 Identify the Line Marked as 'A' in the below figure, considering a short reach of channel having gradually varied flow.



- Ans
- 1. Datum Line
 - 2. Water Surface
 - 3. Energy Line
 - 4. Channel Bottom

Question ID : 630680178414
Status : Answered
Chosen Option : 3

Q.31 A/an _____ is a strip (usually paved) connecting runways with one another, and with the aircraft-parking apron.

- Ans**
- 1. apron
 - 2. taxiway
 - 3. terminal
 - 4. hangars

Question ID : 630680178480

Status : Answered

Chosen Option : 2

Q.32 Instead of considering the equilibrium of an element in a stressed mass, Coulomb's theory considers a _____ which tends to break away from the rest of the backfill when the wall moves.

- Ans**
- 1. sliding wedge
 - 2. stable wedge
 - 3. tilted wedge
 - 4. curved wedge

Question ID : 630680178459

Status : Answered

Chosen Option : 1

Q.33 The softening point of bitumen can be determined through the use of a _____

- Ans**
- 1. Ring & Ball apparatus
 - 2. Penetrometer apparatus
 - 3. Visco meter
 - 4. Centrifuge extractor apparatus

Question ID : 630680178477

Status : Answered

Chosen Option : 1

Q.34 The cost of each item of work is calculated in tabular form from the quantities already computed, and the total cost is worked out in _____.

- Ans**
- 1. abstract of estimate form
 - 2. revised estimate form
 - 3. supplementary estimate form
 - 4. maintenance estimate form

Question ID : 630680178405

Status : Answered

Chosen Option : 3

Q.35 According to Indian standards, the thickness of PVC Asbestos Floor tiles is _____.

- Ans
- 1. 0.5, 1.0, 1.5 and 2.0 mm
 - 2. 1.0, 1.5, 2.0 and 2.5 mm
 - 3. 1.5, 2.0, 2.5 and 3.0 mm
 - 4. 2.0, 3.0, 4.0 and 5.0 mm

Question ID : 630680178367
Status : Answered
Chosen Option : 2

Q.36 What is the permissible limit of fluoride in the absence of alternative water sources for drinking?

- Ans
- 1. 0 mg/l
 - 2. 0.50 mg/l
 - 3. 1.00 mg/l
 - 4. 1.50 mg/l

Question ID : 630680178434
Status : Answered
Chosen Option : 2

Q.37 The extreme values of normal stresses are called _____.

- Ans
- 1. principal stresses
 - 2. maximum stresses
 - 3. minimum stresses
 - 4. extreme stresses

Question ID : 630680178373
Status : Answered
Chosen Option : 1

Q.38 Check the correct sequence of steps to analyse the equilibrium condition of a given set of concurrent forces.

- A. Choose any two or three mutually perpendicular directions (say x and y directions)
- B. Sum-up (algebraically) the components of all the forces in each of the selected (x and y) directions.
- C. Resolve all the given forces into their component in these directions
- D. Verify, whether the sum of components in each of these directions is equal to zero.

- Ans
- 1. A, B, C, D
 - 2. A, C, D, B
 - 3. A, D, B, C
 - 4. A, C, B, D

Question ID : 630680178377
Status : Answered
Chosen Option : 4

Q.39 Two soils S1 and S2 are tested in the laboratory for the consistency limits. The data available is as follows:

	Soil S1	Soil S2
Plastic limit, wp	18%	20%
Liquid limit, wL	38%	60%
Flow index, If	10	5
Natural moisture content, w	40%	50%

Which of the above two soil types is more plastic?

- Ans**
- 1. Soil S1 is more plastic than soil S2
 - 2. Soil S2 is more plastic than soil S1
 - 3. Soil S1 and soil S2 possess equal plasticity index
 - 4. Soil S2 is less plastic than soil S1

Question ID : **630680178464**
 Status : **Answered**
 Chosen Option : **2**

Q.40 Which of the following is NOT the way of preparing preliminary estimates?

- Ans**
- 1. Per unit basis
 - 2. Plinth area basis
 - 3. Cubic content basis
 - 4. Revised rate basis

Question ID : **630680178401**
 Status : **Answered**
 Chosen Option : **4**

Q.41 A smooth plate 2 m wide and 2.5 m long is towed in oil (sp. gr. = 0.8) at a velocity of 1.5 m/s along its length. Find the thickness of the boundary layer at the trailing edge of the plate ($\nu_{oil} = 10^{-4} \text{m}^2/\text{s}$).

- Ans**
- 1. 54.55 mm
 - 2. 64.55 mm
 - 3. 76.25 mm
 - 4. 88.12 mm

Question ID : **630680178412**
 Status : **Answered**
 Chosen Option : **2**

Q.42 The volume decrease of a soil under stress might be conceivably attributed to:

1. Compression of the solid grains.
2. Compression of pore water or pore air.
3. Expulsion of pore water or pore air from the voids, thus decreasing the void ratio or porosity.

- Ans**
- 1. Only 1
 - 2. Only 1 and 2
 - 3. Only 2 and 3
 - 4. Only 1,2 and 3

Question ID : **630680178451**
 Status : **Answered**
 Chosen Option : **3**

Q.43 According to Indian Standards, the unit dry weight of GW soil group is _____ (g/cm^3).

- Ans
- 1. 1.76 to 2.08
 - 2. 1.84 to 2.16
 - 3. 2.00 to 2.24
 - 4. 2.00 to 2.32

Question ID : 630680178449
Status : Answered
Chosen Option : 4

Q.44 The photographs of the earth taken from space by satellite are called _____.

- Ans
- 1. images
 - 2. imageries
 - 3. signatures
 - 4. photographs

Question ID : 630680178472
Status : Answered
Chosen Option : 1

Q.45 Which of the following is a suitable method for discharge measurement of fast moving surface of the stream for large alluvial rivers, such as the Ganga?

- Ans
- 1. Canister float
 - 2. Current meters
 - 3. Moving-boat method
 - 4. Echo-depth recorder

Question ID : 630680178421
Status : Answered
Chosen Option : 4

Q.46 What is the permissible velocity (m/s) for burnt clay tile and brick lining?

- Ans
- 1. 1.4 to 1.6
 - 2. 1.6 to 1.8
 - 3. 1.5 to 1.7
 - 4. 2.0 to 2.5

Question ID : 630680178429
Status : Answered
Chosen Option : 4

Q.47 _____ is the major air pollutant causing bronchitis.

- Ans
- 1. Hydrogen sulphide
 - 2. Nitrogen oxide
 - 3. Carbon monoxide
 - 4. Carbon dioxide

Question ID : 630680178442
Status : Answered
Chosen Option : 1

Q.48 Calculate the depth of impervious layer below the centre of tile in the drain spacing for an irrigated area, assuming the depth to the centre of drain is 1.8 m, and the minimum depth of the water table is 1.5 m. Given that hydraulic conductivity $K = 0.5$ m/day above an impervious layer at a depth of 6.7 m. The excess irrigation rate, if equivalent to drainage coefficient, of 1.3 mm/day

- Ans
- 1. 4.9 m
 - 2. 5.2 m
 - 3. 9.2 m
 - 4. 9.5 m

Question ID : 630680178432
Status : Answered
Chosen Option : 3

Q.49 The development length of each bar of bundled bars shall be increased by _____ for 4 bars in contact.

- Ans
- 1. 10%
 - 2. 20%
 - 3. 33%
 - 4. 45%

Question ID : 630680178400
Status : Answered
Chosen Option : 3

Q.50 Which of the following is NOT a control measure of water logging?

- Ans
- 1. Lining of canals and water courses
 - 2. Intercepting drains
 - 3. Increased intensity of irrigation
 - 4. Crop rotation

Question ID : 630680178431
Status : Answered
Chosen Option : 3

Q.51 Activities that must be completed immediately prior to the start of another activity are called _____ activities.

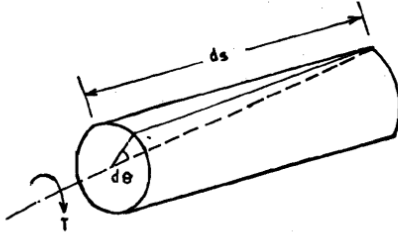
- Ans**
- 1. successor
 - 2. predecessor
 - 3. concurrent
 - 4. dummy

Question ID : 630680178407

Status : Answered

Chosen Option : 1

Q.52 The element ds is now considered subject to a torque T as shown in the figure below, producing an angle of twist $d\theta$.



The formula to find the strain energy is _____.

- Ans**
- 1. $\frac{1}{2} T d\theta$
 - 2. $\frac{1}{3} T d\theta$
 - 3. $\frac{1}{4} T d\theta$
 - 4. $\frac{1}{8} T d\theta$

Question ID : 630680178384

Status : Answered

Chosen Option : 1

Q.53 According to working stress design specified in Indian Standard Code IS:800-2007, the permissible compressive stress, f_{ac} is _____, where f_{cd} is design compressive stress.

- Ans**
- 1. $0.30f_{cd}$
 - 2. $0.40f_{cd}$
 - 3. $0.50f_{cd}$
 - 4. $0.60f_{cd}$

Question ID : 630680178392

Status : Answered

Chosen Option : 4

Q.54 The apparatus developed by Terzaghi for the determination of compressibility characteristics including the time-rate of compression is called the _____.

- Ans**
- 1. flowmeter
 - 2. piezometer
 - 3. penetrometer
 - 4. oedometer

Question ID : **630680178452**
Status : **Answered**
Chosen Option : **4**

Q.55 Loads acting eccentrically from the centroid of a weld line or weld group may cause _____ moment.

- Ans**
- 1. shear
 - 2. twisting
 - 3. eccentric
 - 4. non-axial

Question ID : **630680178390**
Status : **Answered**
Chosen Option : **2**

Q.56 _____ serves to divert the required supply into the canal from the river.

- Ans**
- 1. Storage headwork
 - 2. Diversion headwork
 - 3. Branch canal
 - 4. Syphon pipe

Question ID : **630680178430**
Status : **Answered**
Chosen Option : **2**

Q.57 Substance that is made of one or more unprocessed waste material of biological nature (plant and animal), and may include unprocessed mineral material that has been altered through microbiological decomposition, is called _____.

- Ans**
- 1. biodegradable waste
 - 2. compost
 - 3. demolition waste
 - 4. unprocessed waste

Question ID : **630680178447**
Status : **Answered**
Chosen Option : **3**

Q.58 What is the effect of the Plumatella organism on water purification system?

Ans 1. Clogs filters and affects purification systems

2. Clogs filters and renders water unaesthetic

3.

Produces biological slime and causes filter operational difficulties

4. Harbours pathogenic organisms

Question ID : 630680178433

Status : Answered

Chosen Option : 4

Q.59 In plastic analysis of a structure, the upper bound theorem may be stated as which of the following?

Ans 1.

A load computed on the basis of an assumed mechanism will always be lower than, or at best equal to the true ultimate load.

2.

A load computed on the basis of an assumed mechanism will always be greater than, or at best equal to the true ultimate load.

3.

A load computed on the basis of an assumed mechanism will always be lower than, or at best not equal to the true ultimate load.

4.

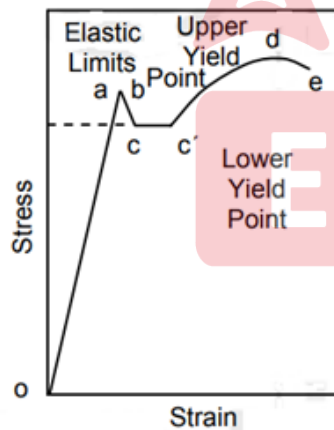
A load computed on the basis of an assumed mechanism will always be greater than, or at best not equal to the true ultimate load.

Question ID : 630680178386

Status : Answered

Chosen Option : 2

Q.60 The below stress-strain diagram is for which type of material?



Ans 1. Brittle material

2. Ductile material

3. Elastic material

4. Plastic material

Question ID : 630680178372

Status : Answered

Chosen Option : 2

Q.61 According to CPCB (2000), the permissible level of noise in industrial areas should not be more than _____ during daytime, and _____ during night hours.

- Ans**
- 1. 70dB; 75dB
 - 2. 100dB; 105dB
 - 3. 105dB; 100dB
 - 4. 75dB; 70dB

Question ID : **630680178445**
Status : **Answered**
Chosen Option : **4**

Q.62 As the continuity equation is based on the principle of conservation of mass, identify the correct statement from among the following options.

- Ans**
- 1. If fluid is added from the pipe in any length, then the mass passing across different sections shall be same.
 - 2. If fluid is removed from the pipe in any length, then the mass passing across different sections shall be same.
 - 3. If no fluid is added or removed from the pipe in any length, then the mass passing across different sections shall be same.
 - 4. If no fluid is added or removed from the pipe in any length, then the mass passing across different sections shall be different.

Question ID : **630680178411**
Status : **Answered**
Chosen Option : **3**

Q.63 Which of the following is NOT an assumption of the theory of simple bending?

- Ans**
- 1. The material is homogenous and isotropic.
 - 2. Transverse planes remain plane and perpendicular to the neutral surface after bending.
 - 3. The stress is purely longitudinal, and the stress concentration effects near the concentrated loads are considered.
 - 4. The beam is symmetrical about a vertical longitudinal plane passing through vertical axis of symmetry for horizontal beams.

Question ID : **630680178370**
Status : **Answered**
Chosen Option : **3**

Q.64 According to Indian Standards, what is the design period adopted for general design criteria of slow sand filters in rural water supply?

- Ans**
- 1. 5 to 10 years
 - 2. 10 to 20 years
 - 3. 15 to 30 years
 - 4. 20 to 40 years

Question ID : **630680178437**
Status : **Answered**
Chosen Option : **4**

Q.65 Identify the endogenous tree type from among the following.

- Ans
- 1. Palm
 - 2. Pine
 - 3. Deodar
 - 4. Oak

Question ID : 630680178363
Status : Answered
Chosen Option : 1

Q.66 Which of the following are required general principles of drawing flow nets?

- a. The equipotential lines intersect the flow lines orthogonally, and the bounded figures are approximate squares.
- b. Generally, two to three flow paths for drawing the flow net are sufficient.
- c. Generally, four to six flow paths for drawing the flow net are sufficient.
- d. Drawing of a flow net takes several trials, and fine detail adjustments are made when the entire flow net appears approximately correct.

- Ans
- 1. Only a and b
 - 2. Only a , b and d
 - 3. Only a, c and d
 - 4. Only a and d

Question ID : 630680178455
Status : Answered
Chosen Option : 3

Q.67 Calculate the azimuth of a line if it's true bearing is $275^{\circ} 45'$.

- Ans
- 1. $86^{\circ} 45'$
 - 2. $85^{\circ} 25'$
 - 3. $84^{\circ} 55'$
 - 4. $84^{\circ} 15'$

Question ID : 630680178466
Status : Answered
Chosen Option : 4

Q.68 _____ is/are preferable where strong winds blow in more than one direction, necessitating two runways intersecting at an angle.

- Ans
- 1. Single runway
 - 2. Multiple runways
 - 3. Parallel runways
 - 4. Intersecting runways

Question ID : 630680178479
Status : Answered
Chosen Option : 3

Q.69 According to Indian standards, the non-modular size of a brick is _____ (length × width × height) in mm.

- Ans**
- 1. $190 \times 90 \times 90$
 - 2. $190 \times 90 \times 40$
 - 3. $230 \times 110 \times 70$
 - 4. $230 \times 110 \times 40$

Question ID : 630680178365

Status : Answered

Chosen Option : 1

Q.70 A soil derives its shearing strength from which of the following?

- (1) Resistance due to the interlocking of particles.
- (2) Frictional resistance between the individual soil grains, which may be sliding friction, rolling friction, or both.
- (3) Adhesion between soil particles or 'cohesion'
- (4) Impact resistance of soil

- Ans**
- 1. Only 1 and 2
 - 2. Only 1, 2 and 3
 - 3. Only 1, 2 and 4
 - 4. Only 1, 2, 3 and 4

Question ID : 630680178453

Status : Answered

Chosen Option : 2

Q.71 _____ is used to measure the small colour intensities of water.

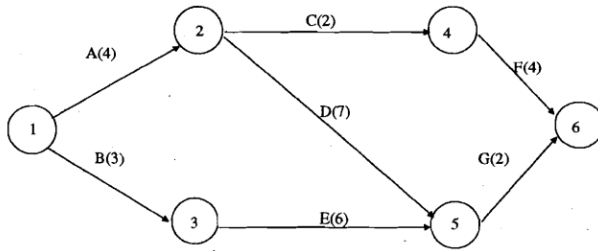
- Ans**
- 1. Threshold meter
 - 2. Turbidity meter
 - 3. Thermo meter
 - 4. Tinto meter

Question ID : 630680178435

Status : Answered

Chosen Option : 4

Q.72 By Identifying the Critical Path, find out the time duration in weeks for the below given network diagram, where the time estimates are specified inside the bracket along with the activity.



- Ans
- 1. 10
 - 2. 11
 - 3. 13
 - 4. 17

Question ID : 630680178404

Status : Answered

Chosen Option : 3

Q.73 In channel routing, the storage is a function of both outflow and inflow discharges, and hence, a different routing method is needed. The flow in a river during a flood belongs to the category of gradually varied _____ flow.

- Ans
- 1. steady
 - 2. unsteady
 - 3. turbulent
 - 4. laminar

Question ID : 630680178423

Status : Answered

Chosen Option : 2

Q.74 _____ is a natural process by which solids with higher density than the fluid, settle under the action of gravity.

- Ans
- 1. Settlement
 - 2. Sedimentation
 - 3. Disinfection
 - 4. Filtration

Question ID : 630680178436

Status : Answered

Chosen Option : 2

Q.75 _____ is an access opening in a pipe or pipe fitting arranged to facilitate the clearing or obstructions and fitted with removable cover.

- Ans
- 1. Chair
 - 2. Cleaning eye
 - 3. Manhole
 - 4. Drain

Question ID : 630680178438

Status : Answered

Chosen Option : 3

Q.76 What is the PCU factor for three-wheeler used in expressing the traffic?

- Ans
- 1. 0.50
 - 2. 0.75
 - 3. 1.00
 - 4. 3

Question ID : 630680178475
Status : Answered
Chosen Option : 2

Q.77 Identify the correct causes of air pollution.

- A. Increase in population and traffic
- B. Development of industries
- C. Development of automobile engineering
- D. Development of agriculture

- Ans
- 1. Only A
 - 2. Only A and B
 - 3. Only A, B and C
 - 4. Only A, B, C and D

Question ID : 630680178441
Status : Answered
Chosen Option : 4

Q.78 While detecting local attraction, if the difference is not 180° , the discrepancy may be due to:

- I. an error in observation in fore bearing
- II. an error in observation in back bearing
- III. an error in observation in both fore and back bearing
- IV. the presence of local attraction at either or both of the stations

- Ans
- 1. Only I and II
 - 2. Only I and IV
 - 3. Only II and IV
 - 4. Only III and IV

Question ID : 630680178467
Status : Answered
Chosen Option : 4

Q.79 A simple circular curve may be set out on the ground by using which of the following methods?

- I. Offsets from the long chord
- II. Successive bisection of the chords
- III. Offsets from chords produced
- IV. Offsets from the tangents

- Ans**
- 1. Only I, II and III
 - 2. Only I, II and IV
 - 3. Only II, III and IV
 - 4. I, II, III and IV

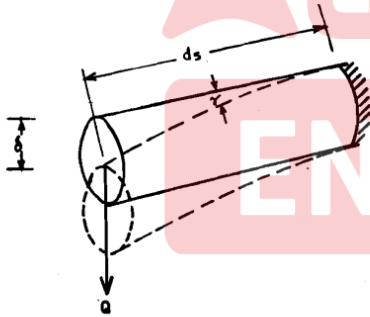
Question ID : 630680178471
 Status : Answered
 Chosen Option : 4

Q.80 _____ is very useful in graphical analysis of state of stress at a point.

- Ans**
- 1. Mohs scale
 - 2. Mohr's circle
 - 3. Mises circle
 - 4. Mises scale

Question ID : 630680178374
 Status : Answered
 Chosen Option : 2

Q.81 If an element of length ds of the bar is subjected to a shear load Q at one end causing deformation through an angle γ (the shear strain), and a shear deflection Θ , as shown in the figure below,



what is the total strain energy in the bar, resulting from shear?

- Ans**
- 1. $\int_0^L \frac{Q ds}{AG}$
 - 2. $\int_0^L \frac{Q^2 ds}{2AG}$
 - 3. $\int_0^L \frac{Q^3 ds}{3AG}$
 - 4. $\int_0^L \frac{Q^4 ds}{4AG}$

Question ID : 630680178383
 Status : Answered
 Chosen Option : 2

Q.82 The maximum strain in the tension reinforcement in the section at failure shall NOT be less than _____.

Where:

f_y = characteristic strength of steel

E_s = modulus of elasticity of steel

Ans

✗ 1. $\frac{f_y}{1.10E_s} + 0.002$

✓ 2. $\frac{f_y}{1.15E_s} + 0.002$

✗ 3. $\frac{f_y}{1.10E_s} + 0.001$

✗ 4. $\frac{f_y}{1.15E_s} + 0.001$

Question ID : 630680178393

Status : Answered

Chosen Option : 2

Q.83 For manufacturing of drainage pipes and floor finishes _____ type of plastic is useful.

Ans

✗ 1. acrylic

✗ 2. polyethylene

✗ 3. polystyrene

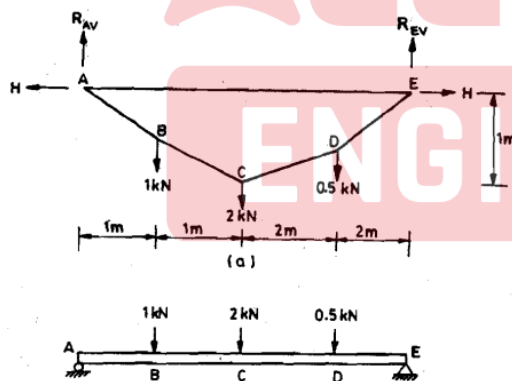
✓ 4. polyvinyl chloride

Question ID : 630680178366

Status : Answered

Chosen Option : 4

Q.84



Find the support reactions (R_{AV} and R_{EV}) to the above shown cable by using general cable theorem.

Ans

✓ 1. $R_{AV} = 2.33 \text{ kN}$, $R_{EV} = 1.17 \text{ kN}$

✗ 2. $R_{AV} = 2.44 \text{ kN}$, $R_{EV} = 1.06 \text{ kN}$

✗ 3. $R_{AV} = 2.55 \text{ kN}$, $R_{EV} = 0.95 \text{ kN}$

✗ 4. $R_{AV} = 2.00 \text{ kN}$, $R_{EV} = 1.50 \text{ kN}$

Question ID : 630680178381

Status : Answered

Chosen Option : 1

Q.85 Which of the following is NOT a goal of the constructions team?

- Ans
- 1. Make a profit on each project
 - 2. Design within budget
 - 3. Build within budget
 - 4. Finish the job safely

Question ID : 630680178402
Status : Answered
Chosen Option : 3

Q.86 Rankine (1857) developed his theory of lateral earth pressure when the backfill consists of _____.

- Ans
- 1. wet, cohesionless soil
 - 2. dry, cohesionless soil
 - 3. wet, cohesive soil
 - 4. dry, cohesive soil

Question ID : 630680178460
Status : Answered
Chosen Option : 2

Q.87 Identify the correct principle of virtual displacement for rigid bodies from among the following.

- Ans
- 1. The total work done by a rigid body held in equilibrium by a group of forces and reactions during a small virtual displacement is one.
 - 2. The total work done by a rigid body held in equilibrium by a system of forces and reactions during a large virtual displacement is zero.
 - 3. The total work done by a rigid body held in equilibrium by a system of forces and reactions during a small virtual displacement is zero.
 - 4. The total work done by anelastic body held in equilibrium by a system of forces and reactions during a small virtual displacement is one.

Question ID : 630680178380
Status : Answered
Chosen Option : 3

Q.88 _____ of a stream is a plot of discharge against the per cent of time the flow was equalled or exceeded.

- Ans
- 1. Discharge - frequency curve
 - 2. Water - balance curve
 - 3. Discharge -velocity curve
 - 4. Discharge -area curve

Question ID : 630680178426
Status : Answered
Chosen Option : 1

Q.89 According to IS:456-2000, _____ is the recommended value of effective length for the column member shown in the below figure.



Note: L is the unsupported length of the column member.

- Ans**
- 1. $0.80L$
 - 2. $1.00L$
 - 3. $1.50L$
 - 4. $2.00L$

Question ID : **630680178396**
 Status : **Answered**
 Chosen Option : **4**

Q.90 What fraction of an iceberg would be above the free surface in the ocean, if the density of ice = 920 kg/m^3 and the density of sea water = 1030 kg/m^3

- Ans**
- 1. $\frac{1}{9.20}$
 - 2. $\frac{1}{9.36}$
 - 3. $\frac{1}{9.81}$
 - 4. $\frac{1}{10.30}$

Question ID : **630680178409**
 Status : **Answered**
 Chosen Option : **4**

Q.91 What is the minimum ultimate tensile stress for bars upto, and including, 20 mm of mild steel grade II?

- Ans**
- 1. 370
 - 2. 410
 - 3. 510
 - 4. 540

ENGINEERS

Question ID : **630680178368**
 Status : **Answered**
 Chosen Option : **2**

Q.92 Calculate the sound pressure level of an equipment that produce a sound pressure of 1 Pa

- Ans**
- 1. 90 dB
 - 2. 92 dB
 - 3. 94 dB
 - 4. 100 dB

Question ID : **630680178444**
 Status : **Answered**
 Chosen Option : **4**

Q.93 _____ of a member is the negative ratio of stiffness of all individual members, to the sum of stiffness of all the members connected to that joint, multiplied by 0.5.

- Ans**
- 1. Displacement factor
 - 2. Rotation factor
 - 3. Moment factor
 - 4. Negative factor

Question ID : 630680178379

Status : Answered

Chosen Option : 1

Q.94 In 1927, _____ was appointed as the chairman of the Indian Road Development Committee by the government.

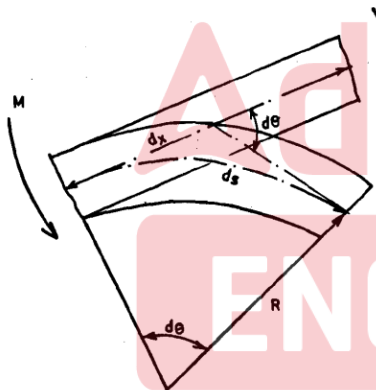
- Ans**
- 1. John Macadam
 - 2. B.C. Kautilya
 - 3. Lord Dalhousie
 - 4. M.R. Jayakar

Question ID : 630680178473

Status : Answered

Chosen Option : 1

Q.95 If the element is subjected to a constant bending moment M , causing it to bend into an arc of radius R and subtending an angle $d\theta$ at the centre, as in figure below, the beam will also have moved through an angle $d\theta$. The total strain energy in bending (u) is _____.



- Ans**
- 1. $\int_0^l \frac{M ds}{2EI}$
 - 2. $\int_0^l \frac{M^2 ds}{2EI}$
 - 3. $\int_0^l \frac{M^3 ds}{3EI}$
 - 4. $\int_0^l \frac{M^4 ds}{4EI}$

Question ID : 630680178382

Status : Answered

Chosen Option : 2

Q.96 A rectangular beam of breadth 100 mm and depth 200 mm is simply supported over a span of 4 m. The beam is loaded with a uniformly distributed load of 5 kN/m over the entire span. Find the maximum bending stresses.

- Ans**
- 1. 5 N/mm²
 - 2. 10 N/mm²
 - 3. 15 N/mm²
 - 4. 20 N/mm²

Question ID : 630680178375

Status : Answered

Chosen Option : 3

Q.97 In an open channel flow, _____ is obtained by adding the datum head, pressure head, and velocity head. It always drops in the direction of flow because of loss of head.

- Ans**
- 1. energy gradient line
 - 2. hydraulic gradient line
 - 3. piezometric gradient line
 - 4. pressure gradient line

Question ID : 630680178413

Status : Answered

Chosen Option : 1

Q.98 The main principle of surveying, whether plane or geodetic, is to work from the _____.

- Ans**
- 1. whole to the point
 - 2. whole to the parties
 - 3. whole to the part
 - 4. whole to the positions

Question ID : 630680178465

Status : Answered

Chosen Option : 3

Q.99 According to Indian standards, what is the depth of soil exploration at the start of the work for isolated spread footing or raft?

- Ans**
- 1. One and a half times the length (L) of the footing
 - 2. One and a half times the width (B)
 - 3.
- Depth of one and a half times the width of the structure from the bearing level
- 4. Equal to the bottom width of the cut

Question ID : 630680178461

Status : Answered

Chosen Option : 2

Q.100 A rectangular plot of size 400×200 m was measured with a 20 m chain. Later it was detected that the chain used for measuring the sides of the plot was 8 cm too long. Determine the true area of the plot.

- Ans
- 1. $80,641.08 \text{ m}^2$
 - 2. $80,641.18 \text{ m}^2$
 - 3. $80,641.28 \text{ m}^2$
 - 4. $80,641.64 \text{ m}^2$

Question ID : **630680178469**
Status : **Answered**
Chosen Option : **3**

Q.101 According to working stress method for structural design specified in IS:456-2000, the tensile stress in N/mm^2 for M30 grade concrete is _____.

- Ans
- 1. 2.8
 - 2. 3.2
 - 3. 3.6
 - 4. 4.0

Question ID : **630680178394**
Status : **Answered**
Chosen Option : **3**

Q.102 According to which Indian Standards is the measurement of noise emitted by moving vehicles carried out?

- Ans
- 1. IS:3098–1980
 - 2. IS:4954–1968
 - 3. IS:3483–1965
 - 4. IS:1950–1962

Question ID : **630680178448**
Status : **Answered**
Chosen Option : **4**

Q.103 According to environmental pollution rules (1986), what is the permissible pH value of effluents to discharge into inland surface water?

- Ans
- 1. 0 to 5.5
 - 2. 5.5 to 9.0
 - 3. 9.0 to 11.5
 - 4. 11.5 to 14.0

Question ID : **630680178440**
Status : **Answered**
Chosen Option : **2**

Q.104 The polished granite stone will check by using _____ for the polish on the surface quality.

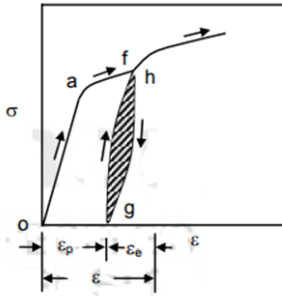
- Ans
- 1. spinner
 - 2. glassometer
 - 3. smoother
 - 4. grinder

Question ID : 630680178361

Status : Answered

Chosen Option : 1

Q.105



Elastic and Plastic Strains

The hatched portion in the above figure is the area between loading and unloading curve representing the loss of energy due to unloading cycle, and is termed as _____

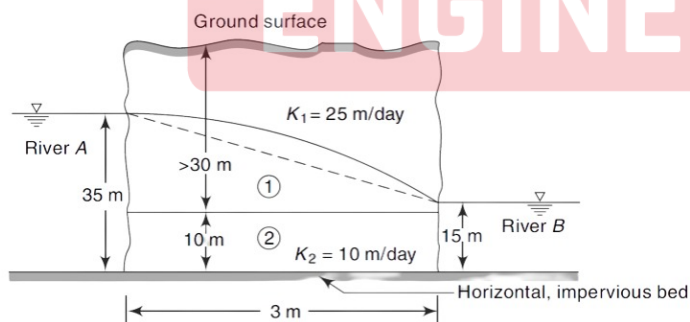
- Ans
- 1. euler's stress
 - 2. intensity of stress
 - 3. hysteresis
 - 4. elastic stress

Question ID : 630680178376

Status : Answered

Chosen Option : 3

Q.106 Two parallel rivers A and B are separated by a land mass as shown in the figure. Estimate the seepage discharge from River A to River B per unit length of the rivers.



- Ans
- 1. 3.167 m³/day per unit length of the rivers
 - 2. 3.267 m³/day per unit length of the rivers
 - 3. 3.367 m³/day per unit length of the rivers
 - 4. 3.467 m³/day per unit length of the rivers

Question ID : 630680178422

Status : Answered

Chosen Option : 3

Q.107 _____ is a type of wood-destroying fungus that decomposes cellulose and associated pentosans, leaving the lignin in unaltered state; the resultant mass of decayed wood of varying shades of brown.

- Ans**
- 1. Heart rot
 - 2. Pocket rot
 - 3. Sap rot
 - 4. Brown rot

Question ID : **630680178364**
Status : **Answered**
Chosen Option : **4**

Q.108 Which of the following is NOT a method used in determining the bearing capacity of soil?

- Ans**
- 1. Plate bearing tests
 - 2. Schleicher's method
 - 3. Hvorslev's method
 - 4. Rankine's method

Question ID : **630680178458**
Status : **Answered**
Chosen Option : **3**

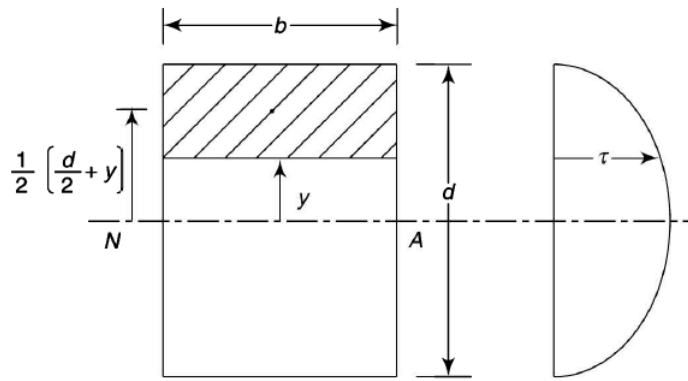
Q.109 Identify the correct sequence of the typical construction project phases from the following activities.

- A. Planning and designing phase
- B. Project initiation phase
- C. Executing and control phase
- D. Closing phase

- Ans**
- 1. A, B, C and D
 - 2. B, A, C and D
 - 3. C, B, A and D
 - 4. A, C, B and D

Question ID : **630680178403**
Status : **Answered**
Chosen Option : **1**

Q.110



The maximum shear stress in the above shown rectangular section is determined by _____.

Note: $\frac{F}{bd}$ is known as the mean stress

Ans

1. $\frac{2 F}{3 b d}$
 2. $\frac{3 F}{2 b d}$
 3. $\frac{3 F}{4 b d}$
 4. $\frac{4 F}{3 b d}$

Question ID : 630680178369

Status : Answered

Chosen Option : 2

Q.111 Identify the INCORRECT assumption from among the following, adopted in the analysis of plane trusses by method of joints.

Ans 1.

The members of the truss are connected together at their ends by friction pins.

 2.

The external loads are applied only at the joints in the plane of the truss and not directly on any member

 3. The individual members of the truss are straight 4.

The members of the truss are connected together at their ends by frictionless hinges.

Question ID : 630680178378

Status : Answered

Chosen Option : 1

Q.112 Which of the following is NOT a gauge used to measure the water surface elevation in streamflow?

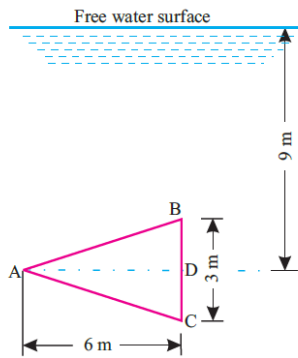
Ans 1. Staff gauge 2. Tube gauge 3. Wire gauge 4. Float-gauge

Question ID : 630680178420

Status : Answered

Chosen Option : 2

Q.113 An isosceles triangle of base 3 m and altitude 6 m is immersed vertically in water, with its axis of symmetry horizontal, as shown in the figure below. If the head of water on it is 9 m, determine the total pressure on the plate.



- Ans**
- 1. 794.6 kN
 - 2. 811.00 kN
 - 3. 79.46 kN
 - 4. 81.10 kN

Question ID : 630680178410

Status : Answered

Chosen Option : 4

Q.114 For cantilever solid slabs, the effective width shall be calculated in accordance with which of the following equations?

Where:

b_{ef} = effective width

a_1 = distance of the concentrated load from the face of the cantilever support

a = width of contact area of the concentrated load measured parallel to the supporting edge

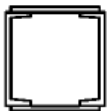
- Ans**
- 1. $b_{ef} = 1.10 a_1 + a$
 - 2. $b_{ef} = 1.15 a_1 + a$
 - 3. $b_{ef} = 1.50 a_1 + a$
 - 4. $b_{ef} = 1.20 a_1 + a$

Question ID : 630680178398

Status : Answered

Chosen Option : 3

Q.115 Identify the typical cross-section of a tension member shown in below figure.



- Ans**
- 1. Rolled sections
 - 2. Compound sections
 - 3. Heavy rolled and built-up sections
 - 4. Flat bar

Question ID : 630680178388

Status : Answered

Chosen Option : 2

Q.116 The vertical pressure at each point on the pressure bulb is _____.

- Ans
- 1. lesser
 - 2. greater
 - 3. the same
 - 4. unpredictable

Question ID : 630680178462
Status : Answered
Chosen Option : 3

Q.117 The number of battens shall be such that the member is divided into not less than _____ bays within its actual length from centre-to-centre of end connections.

- Ans
- 1. one
 - 2. two
 - 3. three
 - 4. four

Question ID : 630680178389
Status : Answered
Chosen Option : 2

Q.118 _____ is the first application of a low viscosity liquid bituminous material over an existing porous or absorbent pavement surface like the WBM base course.

- Ans
- 1. Interface treatment
 - 2. Prime coat
 - 3. Track coat
 - 4. Seal coat

Question ID : 630680178476
Status : Answered
Chosen Option : 2

Q.119 From the consolidation data collected, the compression dial readings should be plotted against the logarithm of time, and from this curve, the value of coefficient of consolidation, C_v , should be computed by using the formula _____.

Where:

$2h$ = initial thickness of the specimen

T_{50} = time corresponding to 50% consolidation.

- Ans
- 1. $C_v = \frac{0.167h^2}{t_{50}}$
 - 2. $C_v = \frac{0.177h^2}{t_{50}}$
 - 3. $C_v = \frac{0.187h^2}{t_{50}}$
 - 4. $C_v = \frac{0.197h^2}{t_{50}}$

Question ID : 630680178454
Status : Answered
Chosen Option : 1

Q.120 According to working stress design specified in Indian Standard Code IS:800-2007, for load combinations involving wind or seismic loads, the permissible stresses in steel structural members may be increased by _____. For anchor bolts and construction loads this increase shall be limited to _____.

- Ans
- 1. 20%; 40%
 - 2. 25%; 33%
 - 3. 28%; 38%
 - 4. 33%; 25%

Question ID : 630680178391
Status : Answered
Chosen Option : 4

Section : General Aptitude

Q.1 What will the compound interest be on Rs.1,784 at 5% per annum in two years?

- Ans
- 1. Rs.181.20
 - 2. Rs.182.86
 - 3. Rs.190.86
 - 4. Rs.175.45

Question ID : 63068085729
Status : Answered
Chosen Option : 2

Q.2 W is the youngest son of K. V is the eldest son of K. L is the wife of K. U is the son of L. D is the mother of K. J is the daughter of D. How is K related to J?

- Ans
- 1. Father
 - 2. Brother
 - 3. Father's brother
 - 4. Mother's brother

Question ID : 63068092756
Status : Answered
Chosen Option : 2

Q.3 The marked price of a table is ₹1,200. It is sold at ₹1,056 after allowing a certain discount. Find the discount percentage.

- Ans
- 1. 10%
 - 2. 12%
 - 3. 14%
 - 4. 16%

Question ID : 630680101173
Status : Answered
Chosen Option : 2

Q.4 25 pens are bought for ₹625 and are sold at ₹30 each. The percentage of profit is _____.

- Ans
- 1. 18.5%
 - 2. 20%
 - 3. 22.5%
 - 4. 17.5%

Question ID : 63068094947
Status : Answered
Chosen Option : 2

Q.5 The marked price of a mobile phone is Rs.8,975. The successive discounts offered by the store are 10% and 'p%'. If the selling price of the mobile phone is Rs.6,462, then what is the value of 'p'?

- Ans
- 1. 18
 - 2. 20
 - 3. 22
 - 4. 24

Question ID : 63068070958
Status : Answered
Chosen Option : 4

Q.6 Select the most appropriate option to fill in the blank.

The word _____ is NOT a synonym of 'enormous'.

- Ans
- 1. huge
 - 2. immense
 - 3. tremendous
 - 4. boycott

Question ID : 630680129803
Status : Answered
Chosen Option : 4

Q.7 On dividing 12395 by a certain number, we get 76 as the quotient and 7 as the remainder. What is the divisor?

- Ans
- 1. 125
 - 2. 185
 - 3. 163
 - 4. 112

Question ID : 63068068403
Status : Answered
Chosen Option : 3

Q.8 Which of the following is the part that is important for the osmoregulation and excretion in amoeba?

- Ans
- 1. Plastids
 - 2. Mitochondria
 - 3. Food vacuoles
 - 4. Contractile vacuoles

Question ID : 63068078564
Status : Answered
Chosen Option : 3

Q.9 'Inequality, Poverty and Development in India', the book is written by Utpal Kumar De Et.al. based on the experiments from _____.

- Ans
- 1. North India
 - 2. South India
 - 3. North-Eastern Region
 - 4. Central India Region

Question ID : 630680143003
Status : Answered
Chosen Option : 4

Q.10 The famous Shanti Stupa of Dhauri is situated in which place?

- Ans
- 1. Bhubaneswar
 - 2. Sri Nagar
 - 3. Patna
 - 4. Cuttack

Question ID : 63068087685
Status : Answered
Chosen Option : 3

Q.11 Read the given statements and conclusions carefully. Assuming that the information given in the statements is true, even if it appears to be at variance with commonly known facts, decide which of the given conclusions logically follow(s) from the statements.

Statements:

All garages are lemons.
Some dolphins are patterns.
Some garages are colours.

Conclusions:

(I) Some lemons are dolphins.
(II) Some garages are patterns.
(III) Some lemons are colours.

- Ans
- 1. Only conclusion I follows
 - 2. Only conclusion II follows
 - 3. Only conclusion III follows
 - 4. None of the conclusions follow

Question ID : 630680104969
Status : Answered
Chosen Option : 3

Q.12 Which is the oldest Hindustani music Gharana that is also referred to as the Mother of all Gharanas?

- Ans
- 1. Talwandi Gharana
 - 2. Patiala Gharana
 - 3. Gwalior Gharana
 - 4. Agra Gharana

Question ID : 630680112715
Status : Answered
Chosen Option : 3

Q.13 In one of the classical experiments in social psychology conducted by White and Lippitt (1960), which of the following sets of styles of leadership was compared?

- Ans
- 1. Autocratic and bureaucratic
 - 2. Autocratic and democratic
 - 3. Democratic and laissez-faire
 - 4. Laissez-faire and bureaucratic

Question ID : 630680178355
Status : Answered
Chosen Option : 2

Q.14 Parts of a sentence are given below in jumbled order. Arrange the parts in the correct order to form a meaningful sentence.

- 1)children and adults can feel safe
- 2)to create environments in which
- 3)an individual can change his social conditions
- 4)and where they can prosper steadily

- Ans
- 1. 3412
 - 2. 1423
 - 3. 3214
 - 4. 1342

Question ID : 63068067038
Status : Answered
Chosen Option : 3

Q.15 The average of 7,4,5,6 and 8 is equal to:

- Ans
- 1. 8
 - 2. 5
 - 3. 6
 - 4. 7

Question ID : 63068078422
Status : Answered
Chosen Option : 3

Q.16 Which Commission recommended that the freedom of the press should be specifically mentioned as a Fundamental Right?

- Ans
- 1. Sarkaria Commission
 - 2. Moily Commission
 - 3. Punchhi Commission
 - 4. Venkatachaliah Commission

Question ID : **630680143012**
Status : **Answered**
Chosen Option : **4**

Q.17 Identify the correct pair of airports and their respective states from following options.

- Ans
- 1. Zero Airport – Sikkim
 - 2. Rupsi Airport – Andhra Pradesh
 - 3. Pakyong Airport – Arunachal Pradesh
 - 4. Lengpui Airport – Mizoram

Question ID : **630680117188**
Status : **Answered**
Chosen Option : **1**

Q.18 The relatively permanent change in the frequency of occurrence of a specific individual behaviour is known by which of the following terms?

- Ans
- 1. Retaining
 - 2. Understanding
 - 3. Learning
 - 4. Memorising

Question ID : **630680178349**
Status : **Answered**
Chosen Option : **1**

Q.19 Who was the first Chief Justice of India?

- Ans
- 1. Justice Harilal Jekisundas Kania
 - 2. Justice M Patanjali Sastri
 - 3. Justice Mehr Chand Mahajan
 - 4. Justice Bijan Kumar Mukherjea

Question ID : **630680143014**
Status : **Answered**
Chosen Option : **1**

Q.20 A tank can be filled by pipes A and B in 3 hours and 7 hours, respectively. When full, the tank can be emptied by pipe C in 5 hours. If all the pipes are turned on at the same time, in how much time will the tank be filled?

- Ans
- 1. $3\frac{1}{29}$ hours
 - 2. $3\frac{12}{29}$ hours
 - 3. $3\frac{15}{29}$ hours
 - 4. $3\frac{18}{29}$ hours

Question ID : 630680143041
Status : Answered
Chosen Option : 4

Q.21 Select the most appropriate option to fill in the blank.

Tim _____ some new clothes yesterday – two shirts, a jacket and a pullover.

- Ans
- 1. buys
 - 2. buying
 - 3. will buy
 - 4. bought

Question ID : 630680124917
Status : Answered
Chosen Option : 4

Q.22 A cube with an edge of 5cm and a cuboid of 7cm × 4cm × 2cm are kept in a box. Which of these has more volume?

- Ans
- 1. Cube
 - 2. Cuboid
 - 3. Both occupied equal space
 - 4. Cannot say

Question ID : 63068077869
Status : Answered
Chosen Option : 1

Q.23 Select the term from among the given options that can replace the question mark (?) in the following series.
U12Y, O13T, I15O, E18J, ?

- Ans
- 1. A20E
 - 2. A22E
 - 3. B22E
 - 4. A24E

Question ID : 63068063252
Status : Answered
Chosen Option : 2

Q.24 _____ is/are an important obstacle in credit creation.

- Ans 1. Cash reserve ratio
 2. Fixed deposits
 3. Exchange rate
 4. Term deposits

Question ID : 63068054237
Status : Answered
Chosen Option : 1

Q.25 In a certain coded language,
"Food gives Energy" is coded as "639"
"Energy is essential" is coded as "314"
"Healthy Food is essential" is coded as "9415"
What is the code for "gives"?

- Ans 1. 3
 2. 6
 3. 9
 4. 1

Question ID : 630680108341
Status : Answered
Chosen Option : 2

Q.26 Who among the following was the Viceroy when the Indian National Congress was formed?

- Ans 1. Lord Canning
 2. Lord Wellesley
 3. Lord Dufferin
 4. Lord Rippon

Question ID : 630680113633
Status : Answered
Chosen Option : 3

Q.27 A boat can travel 66 km upstream in 3 hours. If the speed of the stream is 1.4 km/h, how much time will the boat take to cover a distance of 28 km downstream? (Correct up to two decimals in hours)

- Ans 1. 2.32 hours
 2. 1.32 hours
 3. 1.12 hours
 4. 2.12 hours

Question ID : 630680143043
Status : Answered
Chosen Option : 3

Q.28 The _____ marks the eastern most boundary of the Himalayas.

- Ans 1. Kali river
 2. Tista river
 3. Brahmaputra river
 4. Shyok river

Question ID : 63068069416
Status : Answered
Chosen Option : 2

Q.29 Profit of a firm is divided among three partners Mayank, Shubham and Mohan in such a way that 5 times the amount received by Mayank is equal to 7 times the amount received by Shubham and 16 times the amount received by Mohan. The ratio in which Mayank, Shubham and Mohan received their share in the profit is:

- Ans
- 1. 112: 35: 80
 - 2. 112: 80: 35
 - 3. 80: 112: 35
 - 4. 35: 80: 112

Question ID : 630680103157
Status : Answered
Chosen Option : 2

Q.30 In a row of boys, Rishi is standing forty-third from the left and twenty-fifth from the right.
How many total boys are standing in the row?

- Ans
- 1. 68
 - 2. 66
 - 3. 67
 - 4. 57

Question ID : 63068082907
Status : Answered
Chosen Option : 3

